



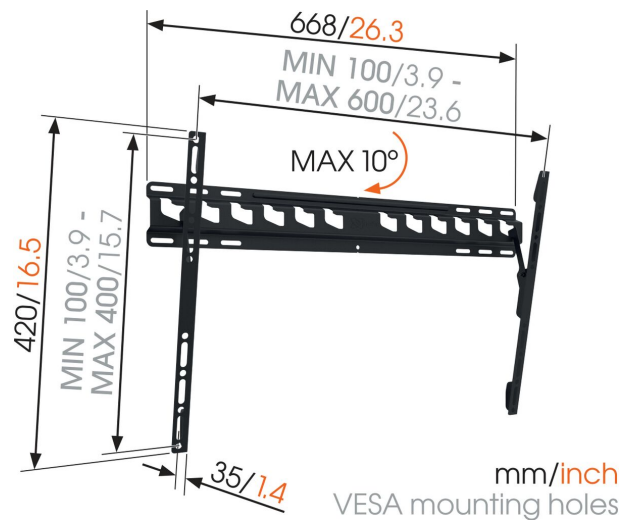
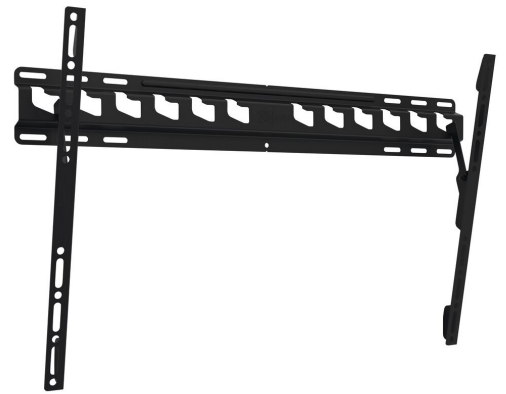
MA 4010 Tilting TV Wall Mount

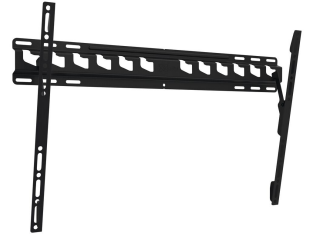
Key Benefits

- Avoid reflections: tilt up to 10°
- Tested up to 3 times max. TV weight
- Mount your TV exactly where you want it to be
- Easily remove to install your cables
- Reliable quality for an affordable price

For TVs from 40 up to 80 inch (203 cm)

The MA 4010 is a reliable TV mount suitable for large and heavy TVs. For secure and effortless mounting of TVs up to 60 kg and from 40 to 80 inches.





MA 4010 Tilting TV Wall Mount

Specifications

Article number (SKU)	8554010
Colour	Black
EAN single box	8712285331428
Product size	L
Height	420
Width	668
Depth	35
TÜV certified	Yes
Tilt	Tilt up to 10°
Guarantee	2 years
Min. screen size (inch)	40
Max. screen size (inch)	80
Min. hole pattern	100mm x 100mm
Max. hole pattern	600mm x 400mm
Max. bolt size	M8
Max. height of interface (mm)	420
Max. width of interface (mm)	668
Certifications	TÜV
Max. horizontal hole pattern (mm)	600
Max. vertical hole pattern (mm)	400
Min. horizontal hole pattern (mm)	100
Min. vertical hole pattern (mm)	100
Service position	No
Spirit level included	No
Universal or fixed hole pattern	Universal

VOGEL'S HOLDING BV (©)

All rights reserved.
Subject to printing errors,
technical and price
amendments.

Date: 2023-04-24



Vogel's. For Sure.