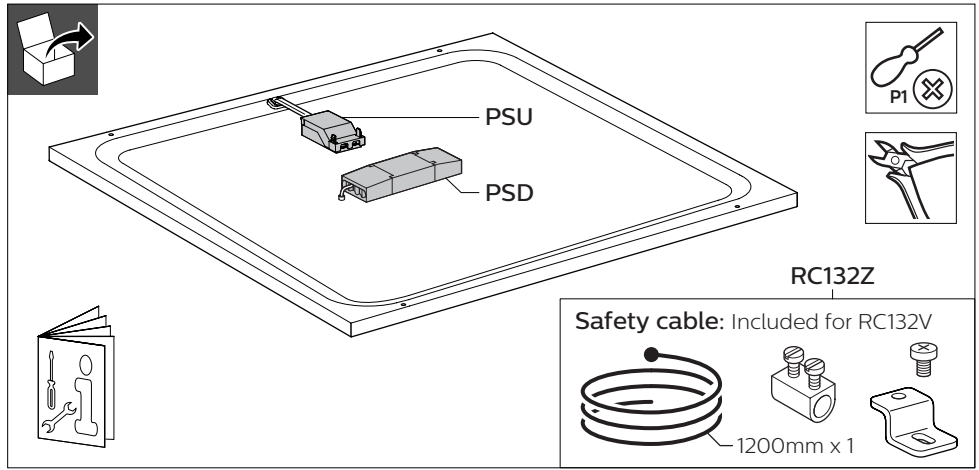


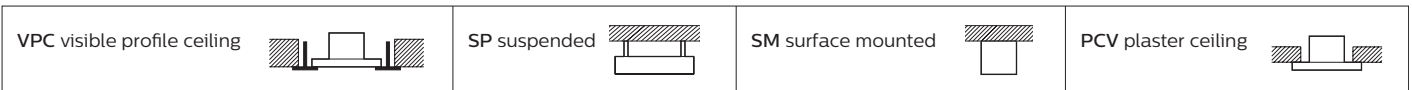
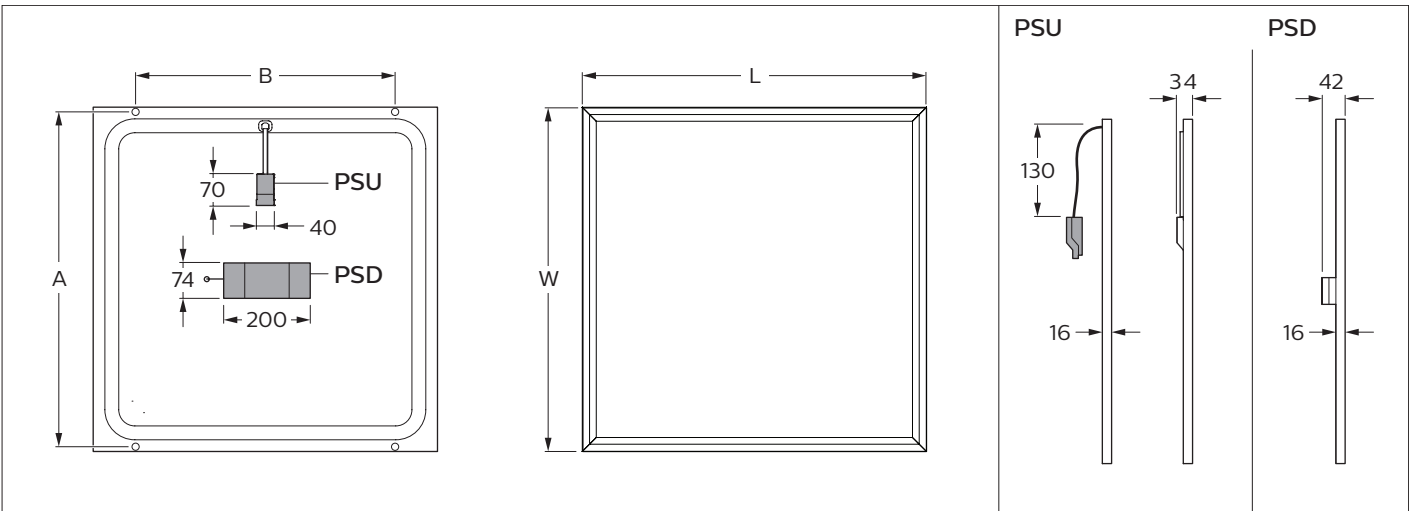
PHILIPS

CoreLine Panel

RC132V/RC133V



	Lumen (lm)		Power (W)		W x L (mm)	A x B (mm)	Weight (kg)	
	4000K	3000K	PSU	PSD			PSU	PSD
RC132V W30L60	1800	-	16	-	297 x 597	281 x 450	1.5	-
RC132V W60L60					597 x 597	581 x 450	2.7	2.8
RC132V W30L120	3600	3400	33	35	297 x 1197	281 x 1050	2.7	2.8
RC133V W62L62					622 x 622	606 x 475	2.8	2.9



Optional:

<p>Suspension kit: 912401483179 RC132Z SME-3 WH 912401483180 RC132Z SME-4 WH</p>	<p>Surface mounted kit: 910930031018 RC125Z SMB W60L60 910930031118 RC126Z SMB W62L62 910930031218 RC125Z SMB W30L120 912401483181 RC132Z SMB W30L60</p>	<p>Plaster kit: 910930031318 RC125Z SMB-PLC</p>
---	---	--

PSU

8-10 15-20
2 x 0.75-1.5 mm²
Ø 7-9 mm

1a

PSD

Ø 6-9 mm
2 x 0.50-1.5 mm²
20 9
220-240V
Ø 6-9 mm
2 x 0.75-2.5 mm²

1b

PSD Touch & Dim

1c

Set PSD to PSU

VPC Visible Profile Ceiling

2

Safety cable

Step 1
Step 2
0.5Nm
0.5Nm
ST3.9x8
Throw away

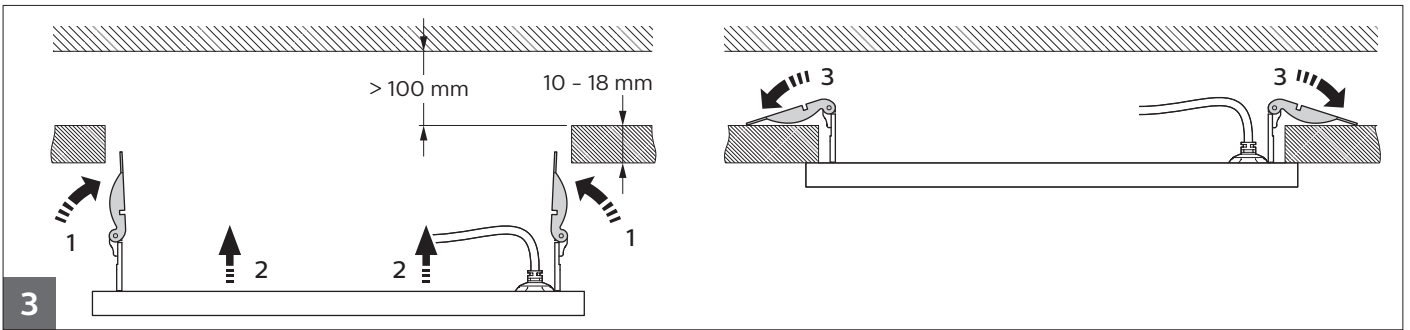
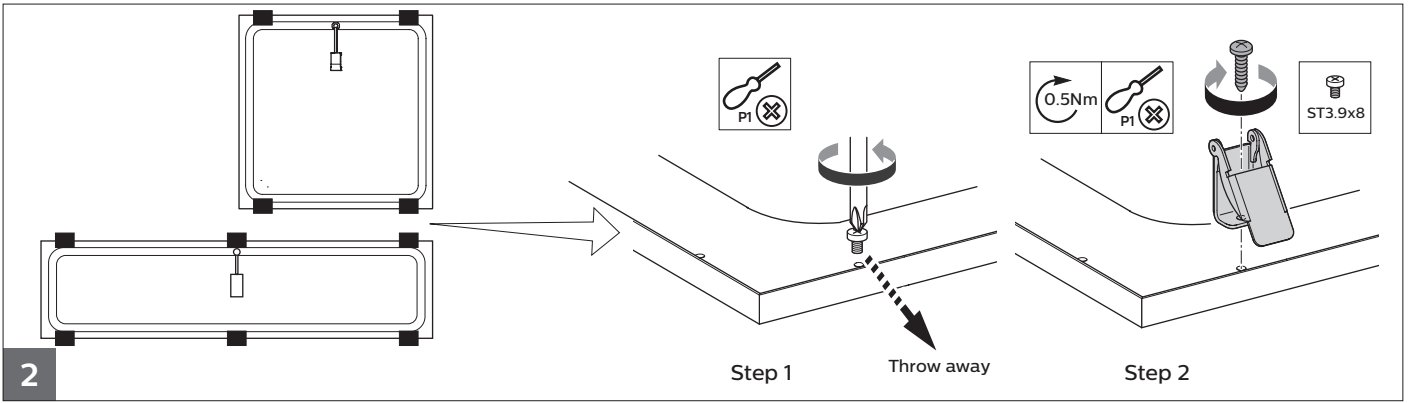
3

PCV plaster ceiling version

	A (mm)	B (mm)
W60L60	570	570
W62L62	590	590
W30L120	1100	270
W30L60	570	270

1

! Solid wood if necessary



Surface mounted

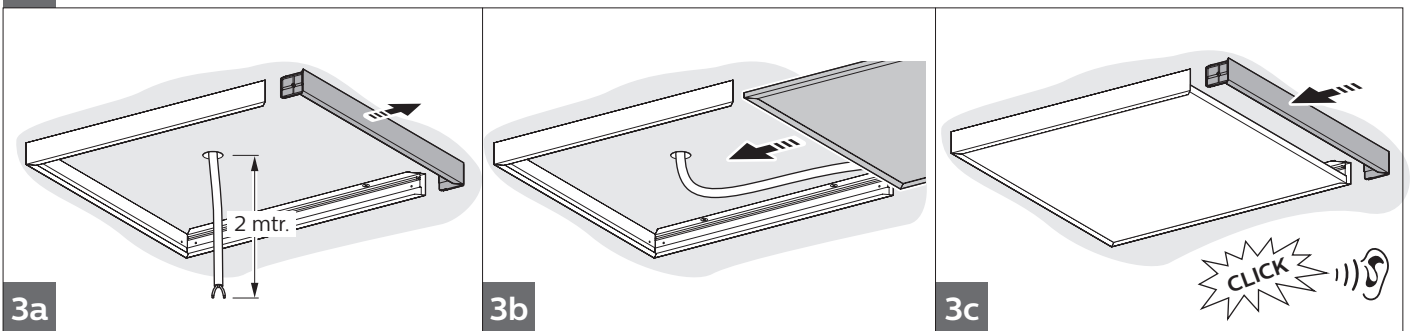
1a

1b

	A	B	C	D
W60L60	612	612	332	576.5
W62L62	637	637	327	601.5
W30L120	1212	312	852	276.5
W30L60	612	312	332	276.5

Max. $\varnothing 5\text{mm}$

2 Electrical connections. See relevant installation instruction.

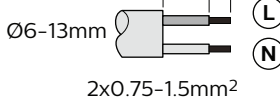
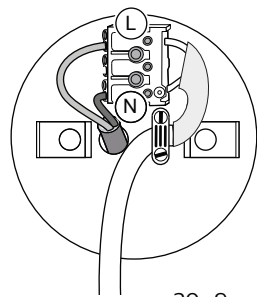
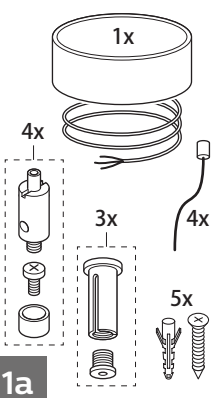
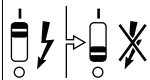




Suspension kit

PSU

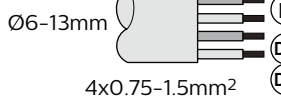
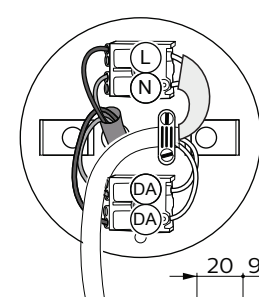
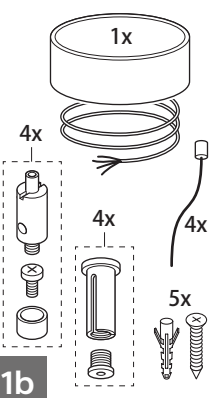
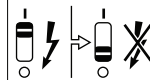
912401483179
RC132Z SME-3 WH



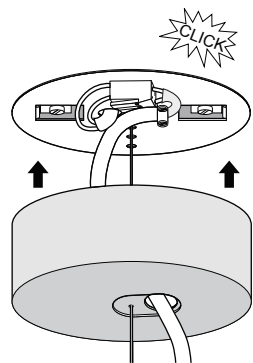
1a

PSD

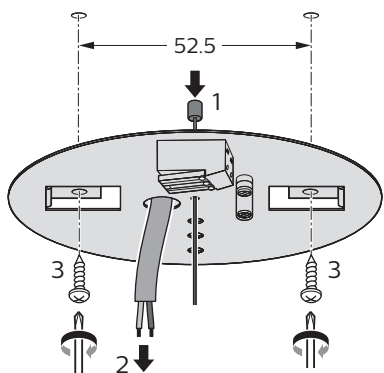
912401483180
RC132Z SME-4 WH



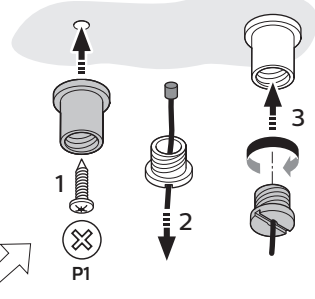
1b



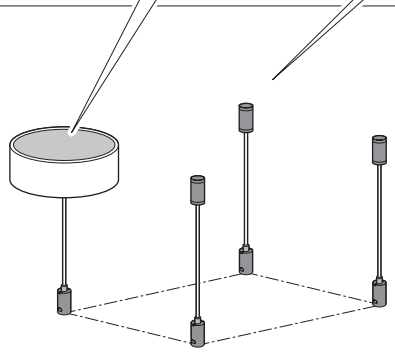
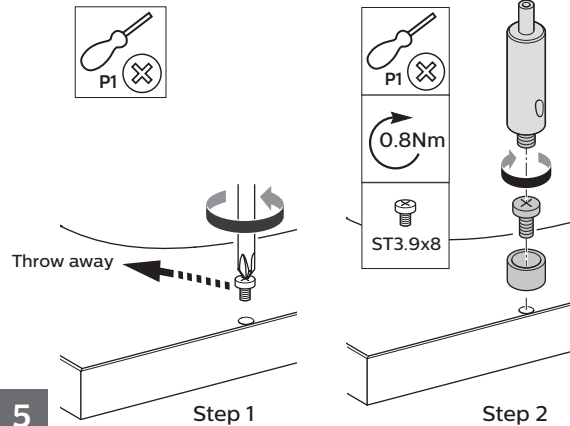
2



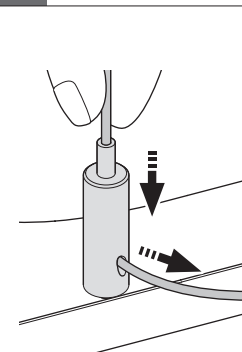
4



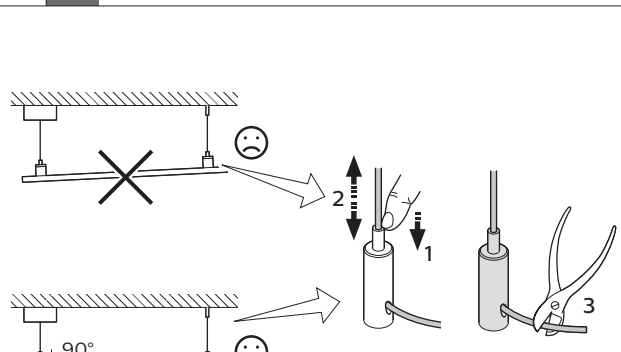
5



3

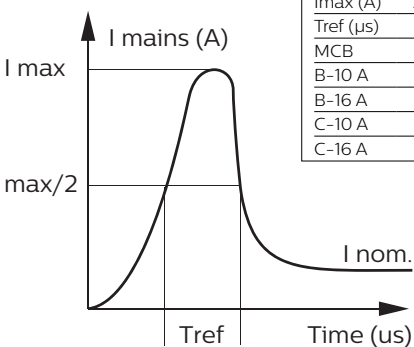


6



7

Inrush current



	PSD		PSU
	35W	16W	33W
Electrical characteristics			
I _{max} (A)	20.4	4	6
T _{ref} (µs)	195	300	300
MCB	No. of luminaires max.		
B-10 A	15	30	15
B-16 A	24	48	24
C-10 A	25	50	25
C-16 A	40	80	40



- The luminaire shall be installed by a qualified electrician and wired in accordance with the latest IEE electrical regulations or the national requirements.
- The light source of this luminaire is not replaceable; when the light source reached its end of life the whole luminaire shall be replaced.
- During installation or maintaining the luminaire please use gloves to avoid spots on the cover.
- To remove dirt and spots use the following:
 - Dust: use micro fiber cloths only.
 - Fingerprints, etc.: use a cleaner for synthetic materials with antistatic properties.
- The PE-terminal is only for looping in or through wiring, the luminaire itself is Class II protective, connection of PE-terminal to power mains is not needed.
- For controllable luminaires, the classification of insulation between LV supply and control conductors shall be basic insulation at least.
- The product is IPX0 & as such is not protected against water ingress & as such we strongly recommend that the environment in which the luminaire is to be installed is suitably checked.
- If the above advice is not taken and the luminaires are subject to water ingress, Philips / Signify cannot guarantee safe failure & product warranty will become void.