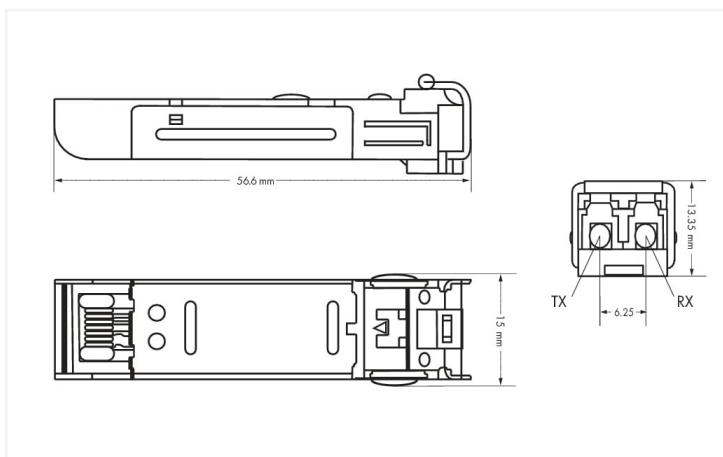
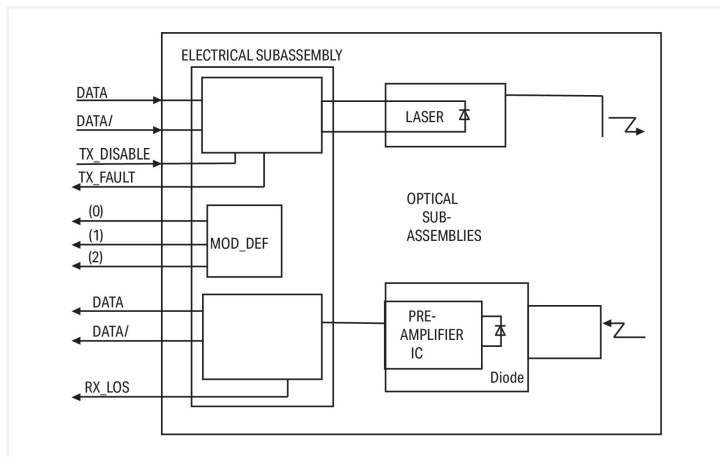


Color: ■ silver-colored

Similar to illustration



Dimensions in mm

Features:

- Duplex LC optical connector
- Small Form-Factor Pluggable (SFP) industry-standard design
- Compliant with Fast ETHERNET standard
- Differential LVPECL inputs and outputs
- Power supply: 3.3 V
- TTL signal detect indicator
- Hot-pluggable capability

Technical data

Optical fiber type	Multi-mode
--------------------	------------

Connection data

Connection technology: communication/fieldbus	1 x SFP; LC fiber-optic connector
Connection requirement (permissible cable length)	2000 m
Connection requirement (permissible cable type)	Multi-mode fiber 62.5/125 µm, 50/125 µm; Wavelength: 1310 nm

Physical data

Width	13.4 mm / 0.528 inches
Height	13.3 mm / 0.524 inches
Depth	56.6 mm / 2.228 inches

Mechanical data

Weight	24 g
Color	silver-colored

Environmental requirements

Ambient temperature (operation)	-40 ... +70 °C
Ambient temperature (storage)	-40 ... +80 °C
Fire load	0 MJ

Commercial data

eCl@ss 10.0	19-17-01-30
eCl@ss 9.0	19-17-01-06
ETIM 8.0	EC000309
ETIM 7.0	EC000309
PU (SPU)	1 pcs
Packaging type	Box
Country of origin	TW
GTIN	4045454635404
Customs tariff number	85176200000

Environmental Product Compliance

RoHS Compliance Status	Compliant, No Exemption
------------------------	-------------------------

Approvals / Certificates

General approvals



Approval	Standard	Certificate Name
EAC Brjansker Zertifizierungsstelle	TP TC 020/2011	EAC RU C-DE.AM02. B.00087/19
KC National Radio Research Agency	Article 58-2, Clause 3	MSIP-REM-W43-SFP852

Declarations of conformity and manufacturer's declarations

Approval	Standard	Certificate Name
EU-Declaration of Conformity WAGO GmbH & Co. KG	-	-

Downloads

Environmental Product Compliance

Compliance Search

Environmental Product
Compliance
852-201/107-002



Documentation

System Description

Industrial Switches –
General Product Infor-
mation

pdf
1873.93 KB



Bid Text

852-201/107-002

09.03.2018

doc
25.50 KB



852-201/107-002

19.02.2019

xml
3.81 KB



ausschreiben.de
852-201/107-002



CAD/CAE-Data

CAE data

EPLAN Data Portal
852-201/107-002



WSCAD Universe
852-201/107-002

