

Data sheet | Item number: 852-1210

SFP Module 1000BASE; LX Single-Mode 1310 nm LC; 10 km; Extended temperature range; DDM



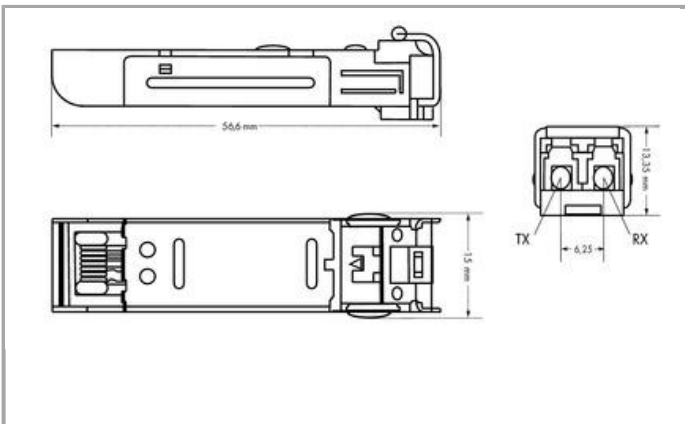
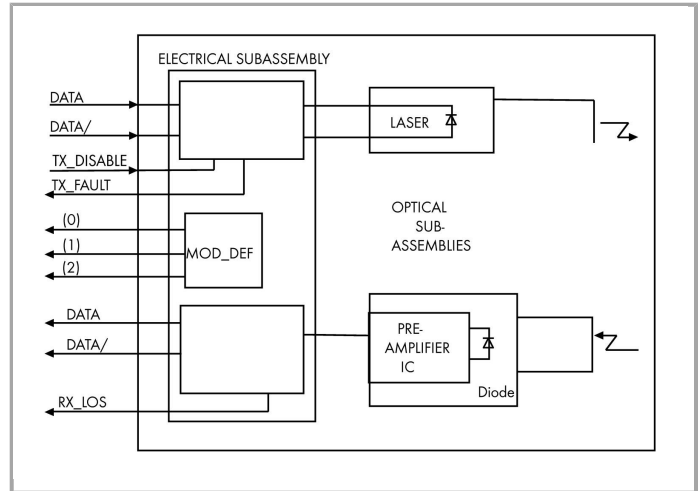
www.wago.com/852-1210



RoHS Compliant



Color:



Item description

Features:

- Duplex LC optical connector
- Small Form-Factor Pluggable (SFP) industry-standard design
- Compliant with IEEE802.3z Gigabit ETHERNET Standard
- Differential LVPECL inputs and outputs
- Power supply: 3.3 V



- TTL signal detect indicator
- Hot-pluggable capability

Data**Technical Data**

LWL-Fasertyp	Single-mode
--------------	-------------

Connection data

Connection technology: communication/fieldbus	1 x SFP, LC fiber-optic connectors
Anschlussanforderung zulässige Leitungslänge	10000 m
Connection requirement (permissible cable type)	Single-mode fiber 9/125 µm, wavelength 1310 nm

Geometrical Data

Width	13.4 mm / 0.528 inch
Height	13.3 mm / 0.524 inch
Depth	56.6 mm / 2.228 inch

Mechanical data

Weight	40.7 g
Color	silver-colored

Environmental Requirements

Surrounding air (operating) temperature	-40 ... 85 °C
Surrounding air (storage) temperature	-40 ... 85 °C

Commercial data

Country of origin	TW
GTIN	4055143394185
Customs Tariff No.	85176200000

Downloads**Documentation****Bid Text**

852-1210	Nov 30, 2016	DOC 27.1 kB	Download
----------	--------------	----------------	----------

Additional Information

Disposal; Electrical and electronic equipment, Packaging	Oct 15, 2018	265.8 kB	Download
--	--------------	----------	----------



Subject to changes.

WAGO Kontakttechnik GmbH & Co. KG
Hansastr. 27
32423 Minden
Phone: +49571 887-0 | Fax: +49571 887-169
Email: info.de@wago.com | Web: www.wago.com

Do you have any questions about our products?
We are always happy to take your call at +49 (571) 887-44222.