

## Beta-MP

### Portable heater with mechanical thermostat and Euro plug

Ensto's Beta heaters meet the Eco-design requirements. Thanks to their easy installation, they offer an ideal heating solution for different spaces. A comfortable temperature level is reached quickly, as most of the energy consumed is transformed into heat.



### Easy to use


The heaters are easily controlled with an on/off switch and a numerical temperature scale. A comfortable temperature level is reached quickly, as most of the energy consumed is transformed into heat.

### Hassle-free

Electric heating is the most sensible and cost-effective source of heating energy-efficient home. It doesn't require major investments or special technical room. Heaters respond quickly to temperature changes caused by other heat sources, so all you have to do to enjoy pleasant conditions is set the desired temperature.

### Easy to install

Thanks to their easy installation, they offer an ideal heating solution for different spaces. No electrician is required to perform the installation, because the heater is a free-standing model that is connected with a plug.



"An additional heat source for new and renovated buildings alike."



BETA5-MP



BETA10-MP

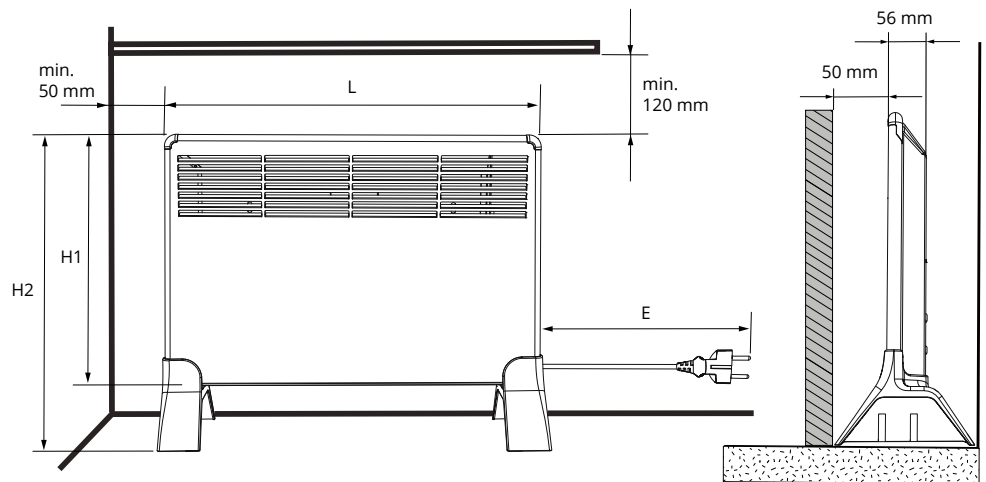


**Structure**

- › Convector heater with mechanical thermostat (6–36 °C) and plug
- › Thermostat with an accuracy of +/- 0.5 °C and equipped with a numbered temperature wheel for easy adjustment
- › Because the mechanical thermostat withstands network disturbances and is therefore suitable for use in cottages etc.
- › Input voltage of 230 V, +10%, -15%
- › Degree of protection IP21
- › Colour RAL 9010

**Installation**

- › Free-standing
- Separate feet
- › The heaters are suitable for both dry and damp spaces (IP21)



Type	GTIN	Power	Length L (mm)	Height H1 (mm)	Height H2 (mm)	Plug E (mm)
<b>Beta-MP</b>						
BETA2-MP	6438100339395	250W	451	389	469	1000
BETA5-MP	6438100339418	500W	585	389	469	1000
BETA7-MP	6438100339425	750W	719	389	469	1000
BETA10-MP	6438100339371	1000W	853	389	469	1000
BETA15-MP	6438100339388	1500W	1121	389	469	1800
BETA20-MP	6438100339401	2000W	1523	389	469	1800

Power/W	Heated area (m <sup>2</sup> ) with a rated power of			Heated volume (m <sup>3</sup> )		
	15W (m <sup>3</sup> )	25W (m <sup>3</sup> )	35W (m <sup>3</sup> )	15W (m <sup>3</sup> )	25W (m <sup>3</sup> )	35W (m <sup>3</sup> )
250	7	4	3	17	10	7
500	13	8	6	33	20	14
750	20	12	9	50	30	21
1000	27	16	11	67	40	29
1500	40	24	17	100	60	43
2000	53	32	23	133	80	57

