

**UC20-M4000****Weidmüller Interface GmbH & Co. KG**

Klingenbergstraße 26

D-32758 Detmold

Germany

www.weidmueller.com



With u-control M3000, automation solutions can be perfectly integrated into the IoT. The powerful controller also works as an edge device for providing local information in the network and can be expanded by connecting function modules – ideal for automation and IIoT applications. u-control M4000 offers two additional CPU cores, two additional Ethernet interfaces and more RAM, NV RAM, and flash memory for complex edge computing in automation.

**General ordering data**

Version	Controller, IP20, AutomationController, CODESYS
Order No.	<a href="#">2839160000</a>
Type	UC20-M4000
GTIN (EAN)	4064675446125
Qty.	1 pc(s).

## UC20-M4000

Weidmüller Interface GmbH &amp; Co. KG

Klingenbergstraße 26

D-32758 Detmold

Germany

www.weidmueller.com

## Technical data

## Dimensions and weights

Depth	100 mm	Depth (inches)	3.937 inch
Height	119 mm	Height (inches)	4.685 inch
Width	79 mm	Width (inches)	3.11 inch
Net weight	250 g		

## Probability of failure

MTBF	According to Standard	MIL-HDBK-217-FN2
	Ambient temperature	50 °C

## Connection data

Type of connection	PUSH IN	Wire connection cross section, finely stranded, max.	1.5 mm <sup>2</sup>
Wire connection cross section, finely stranded, min.	0.14 mm <sup>2</sup>	Wire cross-section, finely stranded, max. (AWG)	AWG 26
Wire cross-section, finely stranded, min. (AWG)	AWG 16	Wire cross-section, solid, max.	1.5 mm <sup>2</sup>
Wire cross-section, solid, max. (AWG)	AWG 26	Wire cross-section, solid, min.	0.14 mm <sup>2</sup>
Wire cross-section, solid, min. (AWG)	AWG 16		

## General data

Air humidity (operation)	10% to 95%, non-condensing as per IEC 61131-2			
Air humidity (storage)	10% to 95%, non-condensing as per IEC 61131-2			
Air humidity (transport)	10% to 95%, non-condensing as per IEC 61131-2			
Air pressure (operation)	≥ 795 hPa as per IEC 61131-2			
Air pressure (storage)	≥ 700 hPa as per IEC 61131-2			
Air pressure (transport)	≥ 700 hPa as per IEC 61131-2			
Operating temperature installation dependent	Mounting position	horizontal		
	Operating altitude, max	2,000 m		
	Operating temperature	min.	-40 °C	
		max.	70 °C	
	Mounting position	vertical		
	Operating altitude, max	2,000 m		
	Operating temperature	min.	-40 °C	
		max.	50 °C	
	Mounting position	horizontal		
	Operating altitude, max	3,000 m		
	Operating temperature	min.	-40 °C	
		max.	60 °C	
	Mounting position	vertical		
	Operating altitude, max	3,000 m		
	Operating temperature	min.	-40 °C	
		max.	50 °C	
Rail	TS 35			
UL 94 flammability rating	V-0			

## Power supply

Current consumption from I <sub>sys</sub> , typ.	≤ 500 mA at 24 V DC		
Feed current for I <sub>IN</sub> (input current path)	max.	10 A	
	min.	0 A	
	nominal	5 A	

Creation date October 26, 2023 5:31:04 PM CEST

Catalogue status 14.10.2023 / We reserve the right to make technical changes.

2

## UC20-M4000

Weidmüller Interface GmbH &amp; Co. KG

Klingenbergstraße 26

D-32758 Detmold

Germany

www.weidmueller.com

## Technical data

Feed current for I <sub>OUT</sub> (output current path)	min.	0 A
	max.	10 A
	nominal	5 A
Supply voltage for outputs	24 V DC +20 %/ -15 %	
Supply voltage system and inputs	24 V DC +20 %/ -15 %	

## System data

Configuration interface	USB-C (3.1), MicroSD CARD	Interface	2x Host (USB-A 2.0), 4x 1 Gbps (RJ45)
Memory (Flash)	8 GB	Processor (NRT-Core)	4x A53 (4x 2,3 DMIPS/ MHz) @ 1200 MHz
Processor (RT-Core)	2x A53 (2x 2,3 DMIPS/ MHz) @ 1200 MHz (pre-emptive Linux)	Program data memory expansion possible	No
Program data memory size	4 GB	Programming environment	CODESYS
Type of program data memory	DDR4	Type of user data memory	eMMC
User data memory size	16 GB	max. number of modules	64

## Classifications

ETIM 6.0	EC000236	ETIM 7.0	EC000236
ETIM 8.0	EC000236	ETIM 9.0	EC000236
ECLASS 9.0	27-24-22-07	ECLASS 9.1	27-24-22-07
ECLASS 10.0	27-24-22-07	ECLASS 11.0	27-24-22-07
ECLASS 12.0	27-24-22-07	ECLASS 13.0	27242207

## Important note

Product information	Available from September 2023
---------------------	-------------------------------

## Approvals

Approvals



UL File Number Search	UL Website
Certificate no. (cULusEX)	E223527

## Downloads

Engineering Data	<a href="#">Quick start guide – Modbus - Understanding Coils and Register</a> <a href="#">Quick start guide – Function blocks for UR20-3EM-230V-AC</a> <a href="#">CAD data – STEP</a>
Software	<a href="#">Software – u-link VPN-Client</a> <a href="#">Software – CODESYS Development System 3.5 SP18.40</a> <a href="#">Software – CODESYS Development System 3.5 SP19.0</a> <a href="#">Software – CODESYS Control SL for Weidmueller u-OS Package</a> <a href="#">Software – u-OS App CODESYS Control SL Runtime</a>
User Documentation	<a href="#">u-link Technical User Guide</a> <a href="#">u-control Handbuch (Deutsch)</a> <a href="#">u-control Manual (English)</a> <a href="#">20210504 Security Advisory - Accidentally open network port in u-controls and IoT-Gateways</a> <a href="#">20221214 Security Advisory - Multiple IoT and control products affected by JavaScript injection vulnerability</a> <a href="#">u-control MX0000 Manual (English)</a>
Catalogues	<a href="#">Catalogues in PDF-format</a>

Creation date October 26, 2023 5:31:04 PM CEST

Catalogue status 14.10.2023 / We reserve the right to make technical changes.

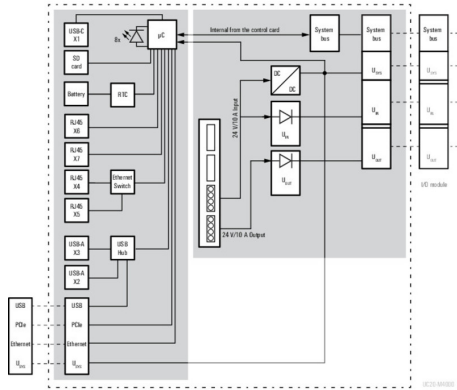
**UC20-M4000**

**Weidmüller Interface GmbH & Co. KG**  
 Klingenbergstraße 26  
 D-32758 Detmold  
 Germany

www.weidmueller.com

**Drawings**

**Block diagram**



**Connection diagram**

