

UC20-WL2000-IOT**Weidmüller Interface GmbH & Co. KG**

Klingenbergstraße 26

D-32758 Detmold

Germany

www.weidmueller.com

Product image

For modern IoT applications, automation technology needs to be increasingly more powerful and adaptable. u-mation offers a coordinated hardware portfolio designed for the future-proof preparation of your machines and systems. u-control 2000 is one of the most compact and state-of-the-art control systems on the market and is the centrepiece of our hardware portfolio. u-control 2000 forms the basis required for use of our engineering solutions u-create web, studio and IoT. The controllers modular design is based on the remote I/O system u-remote, and allows for needs-based expansion to include other components from the u-mation family.

General ordering data

Version	Controller, IP20, IoT Controller, u-control 2000 web, Web-based, integrated engineering tool: u-create web for IIoT applications
Order No.	1334990000
Type	UC20-WL2000-IOT
GTIN (EAN)	4050118138290
Qty.	1 pc(s).

Creation date October 26, 2023 10:14:42 AM CEST

Catalogue status 14.10.2023 / We reserve the right to make technical changes.

UC20-WL2000-IOT

Weidmüller Interface GmbH & Co. KG

Klingenbergstraße 26

D-32758 Detmold

Germany

www.weidmueller.com

Technical data

Dimensions and weights

Depth	76 mm	Depth (inches)	2.992 inch
Height	120 mm	Height (inches)	4.724 inch
Width	52 mm	Width (inches)	2.047 inch
Mounting dimension - height	128 mm	Net weight	232 g

Temperatures

Operating temperature, min.	-20 °C	Operating temperature, max.	55 °C
-----------------------------	--------	-----------------------------	-------

Connection data

Type of connection	PUSH IN
--------------------	---------

General data

Rail	TS 35	UL 94 flammability rating	V-0
------	-------	---------------------------	-----

Power supply

Current consumption from I_{sys} , typ.	116 mA		
Feed current for I_{IN} (input current path)	max.	5,000 mA	
	nominal	5,000 mA	
	min.	0 mA	
Feed current for I_{IN} (input current path), max.	5 A		
Feed current for I_{OUT} (output current path)	min.	0 mA	
	nominal	5,000 mA	
	max.	5,000 mA	
Feed current for I_{OUT} (output current path), max.	5 A		
Supply voltage for outputs	24 V DC +20 %/ -15 %		
Supply voltage system and inputs	24 V DC +20 %/ -15 %		

System data

Configuration interface	Micro USB 2.0	Connection type	2 x RJ45 plug-in connectors
Engineering tool	u-create web	Interface	2x Ethernet TCP/IP, 1x Micro USB
Memory (Flash)	4 GB, 32 GB via microSD	Module type	Controller
Processor	Dual Core ARM Cortex A9, 624 MHz, 512 Mbyte RAM	Programming environment	web-based with node-RED
Real-time clock	Battery buffered	Transmission speed backplane bus, max.	48 Mbit
max. number of modules	64		

Classifications

ETIM 6.0	EC000236	ETIM 7.0	EC000236
ETIM 8.0	EC000236	ETIM 9.0	EC000236
ECLASS 9.0	27-24-22-07	ECLASS 9.1	27-24-22-07
ECLASS 10.0	27-24-22-07	ECLASS 11.0	27-24-22-07
ECLASS 12.0	27-24-22-07	ECLASS 13.0	27242207

UC20-WL2000-IOT

Weidmüller Interface GmbH & Co. KG
 Klingenbergstraße 26
 D-32758 Detmold
 Germany

www.weidmueller.com

Technical data

Environmental Product Compliance

REACH SVHC	Lead 7439-92-1
SCIP	b2baa72f-7638-44ad-b8eb-76854d0293dc

Approvals

Approvals



ROHS	Conform
UL File Number Search	UL Website
Certificate no. (cULus)	E141197
Certificate no. (cULusEX)	E223527

Downloads

Approval/Certificate/Document of Conformity	DNV/GL certificate RINA certificate Bureau Veritas - Type Approval Certificate Lloyd's Register - Type Approval Certificate Hazardous Locations - UL Class 1 Division 2 Group ABCD IECEX UL ATEX ABS-American Bureau Of Shipping - Certificate of PDA Declaration of Conformity
Engineering Data	Compatibility information – UC20-WL2000-IOT Supported modules list CAD data – STEP Quick start guide – Modbus - Understanding Coils and Register
Product Change Notification	Release Notes
Software	Software – u-link VPN-Client Firmware – Current Firmware file for UC20 IoT Firmware – Archiv Firmware files UC20-WL2000-IOT
User Documentation	u-link Technical User Guide u-control Handbuch (Deutsch) u-control Manual (English) Quick reference / Instruction inlay 20210504 Security Advisory - Accidentally open network port in u-controls and IoT-Gateways 20221214 Security Advisory - Multiple IoT and control products affected by JavaScript injection vulnerability
Catalogues	Catalogues in PDF-format

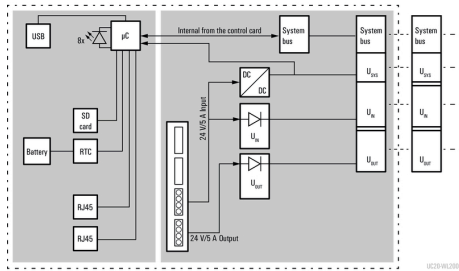
UC20-WL2000-IOT

Weidmüller Interface GmbH & Co. KG
 Klingenbergstraße 26
 D-32758 Detmold
 Germany

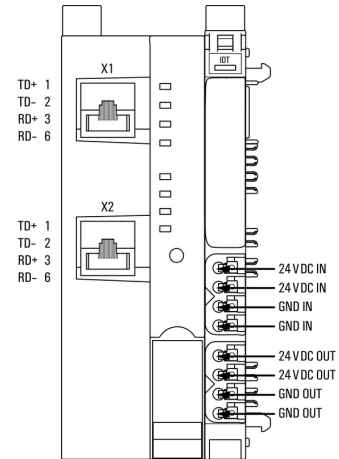
www.weidmueller.com

Drawings

Block diagram, Similar to illustration



Connection diagram



UC20-WL2000-IOT

Weidmüller Interface GmbH & Co. KG
 Klingenbergstraße 26
 D-32758 Detmold
 Germany

www.weidmueller.com

Accessories

Accessories



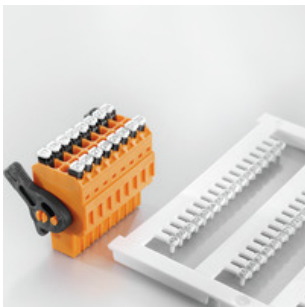
Potential-distribution modules; system accessory

A wide range of accessory modules is available for individual requirements of machine and plant engineering. Various potential distribution modules are available for the supply of sensors with 2- to 4-wire connection technology directly from the remote I/O system. These offer 16 "PUSH IN" potential points and supply your application with any auxiliary potential available. An empty module, where the system bus and voltage supply are looped through, allows you to plan expansion slots in a system and to start these up without any interruptions if required.

General ordering data

Type	UR20-EBK-ACC	Version
Order No.	1346610000	End bracket, ,
GTIN (EAN)	4050118151596	
Qty.	5 pc(s).	
Type	IE-USB-A-MICRO-1.8M	Version
Order No.	1487980000	USB cable, USB A, USB Micro, PVC, 1.8 m
GTIN (EAN)	4050118298451	
Qty.	1 pc(s).	
Type	UR20-SM-ACC	Version
Order No.	1339920000	Cover, ,
GTIN (EAN)	4050118144727	
Qty.	20 pc(s).	

Custom printing



General ordering data

Type	PM 2.7/2.6 MC SDR	Version
Order No.	1323700000	OMNIMATE Signal - series PM, Pusher markers, 2.7 x 2.6 mm, Pitch in
GTIN (EAN)	4050118126761	mm (P): 3.50 Weidmueller, To customer specification
Qty.	192 pc(s).	

UC20-WL2000-IOT

Weidmüller Interface GmbH & Co. KG
 Klingenbergstraße 26
 D-32758 Detmold
 Germany

www.weidmueller.com

Accessories

Custom printing



The Dekafix (DEK) marker is the universal marker for all conductor and plug-in connectors as well as for electronic sub-assemblies. The system is ideal for short number sequences and covers a wide range of ready-printed markers.

Strips for fast installation in only one work step. The printing is easy to read, rich in contrast and available in various widths.

- Large range of ready-to-use markers
- Strips for fast installation
- Terminal markers, suitable for all Weidmüller cable connectors
- Available as blank MultiCard or with standard printing

For custom printing: Please send us a file of our labeling software M-Print PRO or M-Print PRO Online (without installation) for your labeling specifications.

General ordering data

Type	DEK 5/8-11.5 MC SDR	Version	
Order No.	1341610000		Dekafix, Terminal marker, 5 x 8 mm, Pitch in mm (P): 8.00
GTIN (EAN)	4050118146059		Weidmueller, To customer specification
Qty.	100 pc(s).		

Blank



General ordering data

Type	PM 2.7/2.6 MC NE WS	Version	
Order No.	1323710000		OMNIMATE Signal - series PM, Pusher markers, 2.7 x 2.6 mm, Pitch in mm (P): 3.50 Weidmueller, white
GTIN (EAN)	4050118126778		
Qty.	960 pc(s).		

UC20-WL2000-IOT

Weidmüller Interface GmbH & Co. KG
 Klingenbergstraße 26
 D-32758 Detmold
 Germany

www.weidmueller.com

Accessories

Blank



The Dekafix (DEK) marker is the universal marker for all conductor and plug-in connectors as well as for electronic sub-assemblies. The system is ideal for short number sequences and covers a wide range of ready-printed markers.

Strips for fast installation in only one work step. The printing is easy to read, rich in contrast and available in various widths.

- Large range of ready-to-use markers
- Strips for fast installation
- Terminal markers, suitable for all Weidmüller cable connectors
- Available as blank MultiCard or with standard printing

For custom printing: Please send us a file of our labeling software M-Print PRO or M-Print PRO Online (without installation) for your labeling specifications.

General ordering data

Type	DEK 5/8-11.5 MC NE WS	Version	
Order No.	1341630000		Dekafix, Terminal marker, 5 x 8 mm, Pitch in mm (P): 8.00
GTIN (EAN)	4050118145946		Weidmueller, white
Qty.	500 pc(s).		