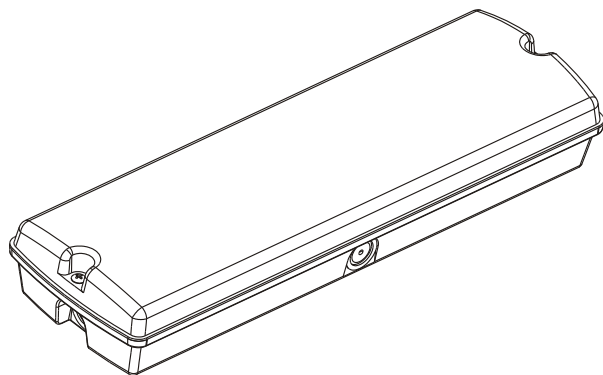


EMERGENCY BULKHEAD LIGHT

MODEL: DP-638LS M

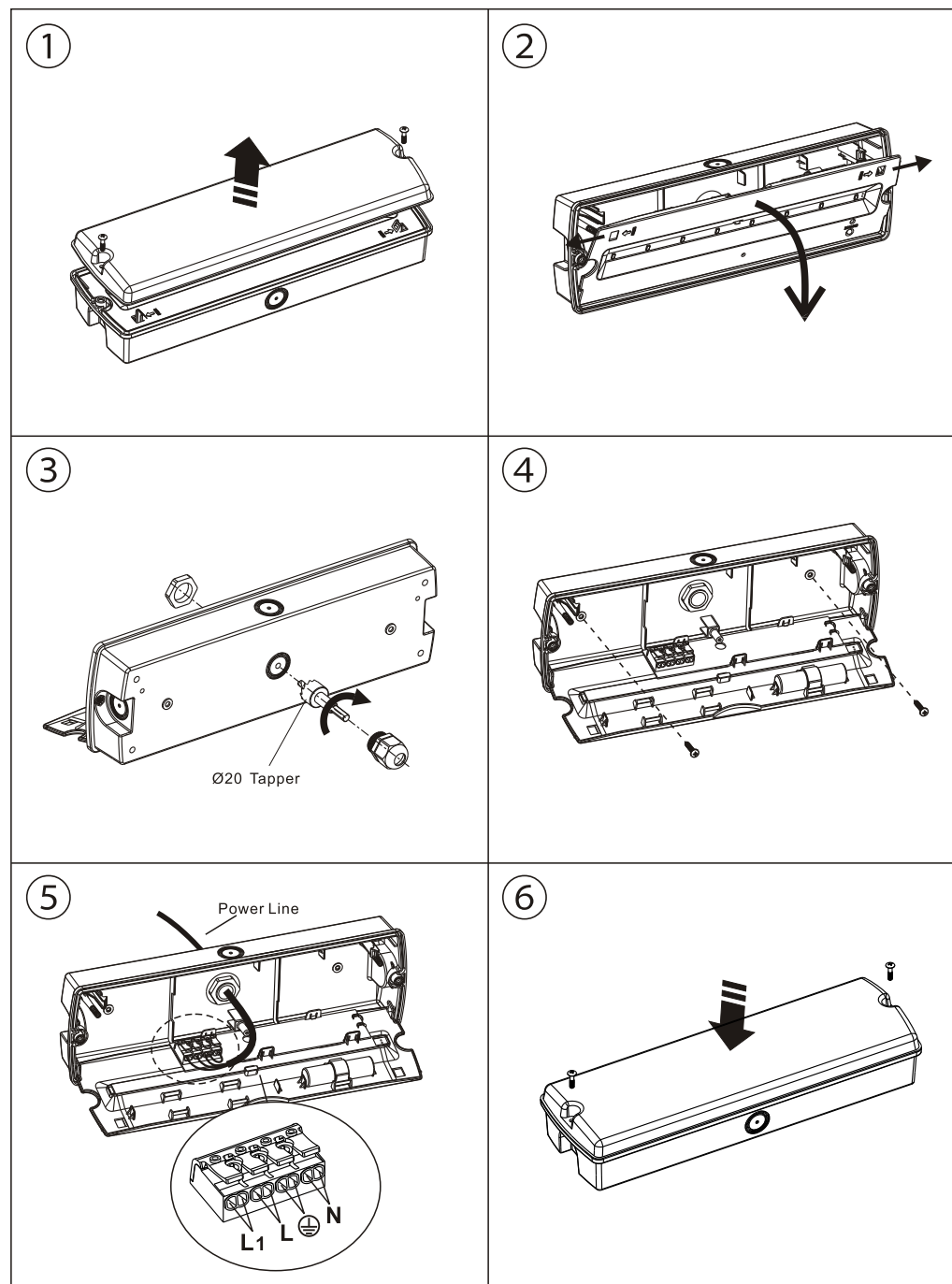


SPECIFICATION:

- 1, Operating environmental temperature: 0~40°C.
- 2, Rated voltage: 220-240V 50/60Hz.
- 3, Rated power: 5W.
- 4, Conversion time: 1 second.
- 5, LED: SMT 5730*8pcs.
- 6, Lumen output: Mains: 275lm, battery: 105lm.
- 7, Emergency duration: more than 180 minutes.
- 8, Battery installed or replaced: LiFePO4 3.2V 1.5Ah
- 9, Recharge time: 24 hours.



INSTALLATION DRAWING

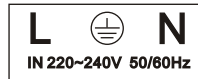


PREFACE:

We develop and use the long-life LEDs and the extraordinary circuit in this design. It's high efficient and energy saving with small power consumption. Also, this design is environment-friendly. The circuit is controlled by IC with small components that includes multi-function, such as battery discharge protection, LED indicator etc. To ensures the effective performance of the fitting.

INSTALLATION:

1. Connect mains supply wiring as follows:



2. Power line & battery wires should be connected strictly, and all screws fixed.
3. Switch on 220-240V AC supply and check if the green LED indicator illuminates to confirm charging of batteries.
4. Allow a short period for part charging of the batteries and then isolate the mains supply to the fitting in order to check the correct operation of the fitting in emergency mode. In the first use, after a continuous charge for 24 hours, a mains failure should be simulated to ensure that the fitting work for its specified time (only at a safe & appropriate time). The fitting will be fully charged with in 24 hours' continuous charging.

REGARD TO SAFETY TO THE INSTRUCTIONS:

1. Minimum distances around the apparatus should be ensured for sufficient ventilation.
2. The ventilation should not be impeded by being covered with newspapers, table-cloths, curtains, etc.
3. Pay attention to the environment by disposal of batteries.
4. If the external flexible cable or cord of this luminaire is damaged, it shall be exclusively replace by a qualified person in order to avoid a hazard.
5. Batteries are the LiFePO4 type and have a normal service life of approximately 4 years. Batteries should in any case, be replaced only with the type specified, and exclusively replaced by a qualified person.
6. Before commencing installation (and before maintenance at any time), ensure that the main supply and the battery pack are disconnected.

AUTO-TEST INSTRUCTION: (IN AC 220~240V SUPPLY) THE USE OF SWITCH:

In AC input:
Press for 1 second :Timing Restart.
Press for 3 seconds :LEDs on, Auto test for 5 minutes.



INDICATOR WORKING PERFORMANCE:

Normal fitting: green indicator working.

Battery failure: red indicator flashing. (Flash once every 3 seconds.)

Lighting source failure: red indicator flashing.
(Flash twice every 3 seconds)

Less than the rated duration time: red indicator fast flashing.
(Flash three times every 3 seconds)

AUTO-TEST INSTRUCTION:

After the emergency lighting is installed:

- ①. An automatic test will conduct once monthly for emergency lighting for 10 minutes. The light will return to normal operation after 10 minutes.
- ②. An automatic test will conduct once yearly for emergency lighting for 3 hours. The light will return to normal operation after 3 hours.
- ③. When the self-test begins, the light source will turn on. Also, it cuts the battery charging, whilst it cuts the green indicator. The red indicator will flash continuously.
- ④. If the emergency duration is less than the specified time, the red indicator on the light will flash.