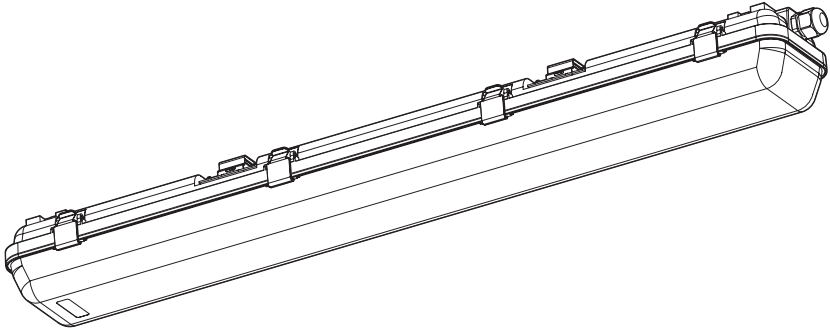

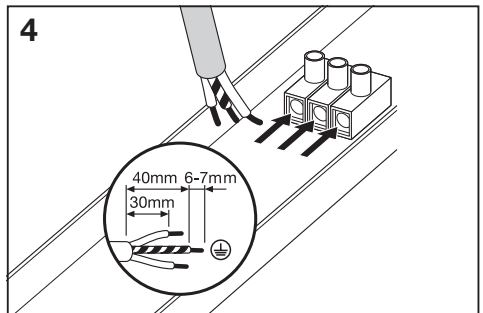
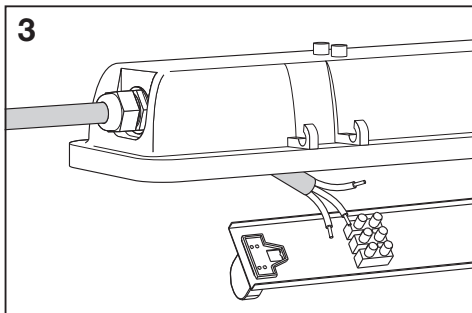
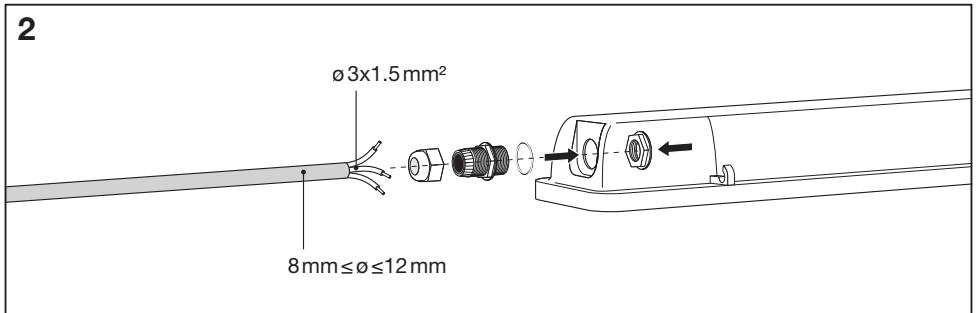
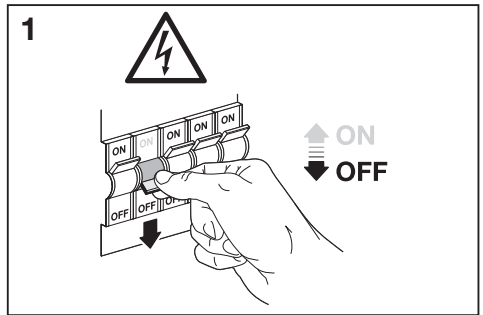
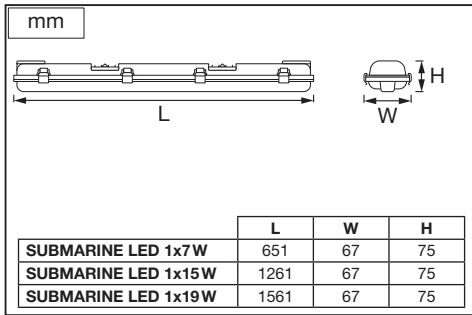
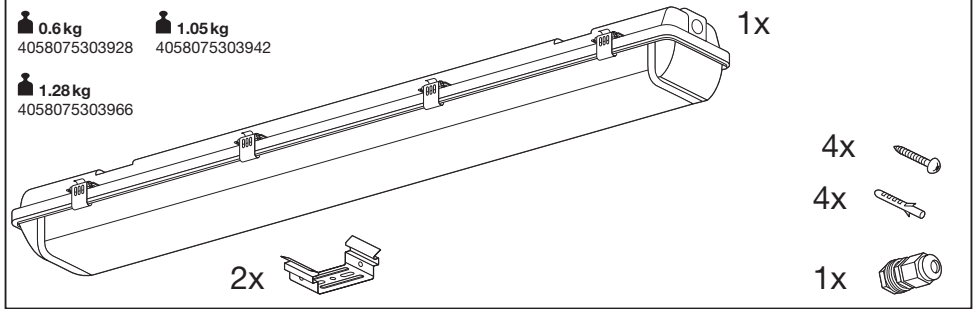

SUBMARINE®
LED



	EAN	W	Light Source lm	Output lm	K	IP	temp (°C)	V~	mA	Hz	DF	▽(°)	
SUBMARINE LED 1x7W 840 60	4058075303928	7	800	700	4000	65	-20...+30	220-240	30	50/60	>0.9	140	100000
SUBMARINE LED 1x15W 840 120	4058075303942	15	1800	1700	4000	65	-20...+30	220-240	80	50/60	>0.9	140	100000
SUBMARINE LED 1x19W 840 150	4058075303966	19	2200	2050	4000	65	-20...+30	220-240	90	50/60	>0.9	140	100000



5

	X (mm)	Y (mm)
SUBMARINE LED 1x7W	254 +/-35	24 +/- 2
SUBMARINE LED 1x15W	859 +/-35	24 +/- 2
SUBMARINE LED 1x19W	1134 +/-35	24 +/- 2

6

7

“click”

“click”

a

b

90°

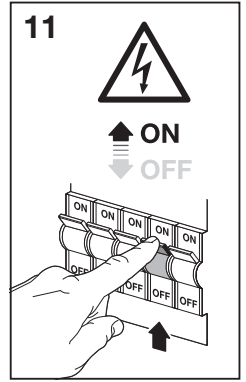
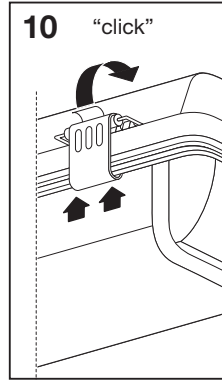
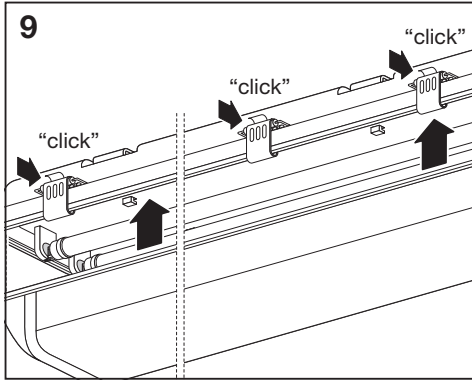
8

T8 (18W, 36W, 58W) ❌

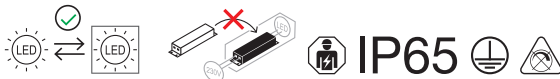
G13 LED only ✅

90°

	220-240V~/50/60Hz
SUBMARINE LED 1x7W	1xST8SP-0.6m-7 W-8xx-EM(SubstiTUBE® STAR 0.6)
SUBMARINE LED 1x15W	1xST8SP-1.2m-15 W-8xx-EM(SubstiTUBE® STAR 1.2)
SUBMARINE LED 1x19W	1xST8SP-1.5m-19 W-8xx-EM(SubstiTUBE® STAR 1.5)



	EAN	This product contains a light source of energy efficiency class	Contained Light Source
SUBMARINE LED 1X7W 840 60	4058075303928	E	
SUBMARINE LED 1X15W 840 120	4058075303942	E	
SUBMARINE LED 1X19W 840 150	4058075303966	E	



Points de collecte sur www.quefairedemesdechets.fr

C10449057
G11145342
29.06.2022



LEDVANCE GmbH
Steinerne Furt 62
86167 Augsburg, Germany
www.ledvance.com