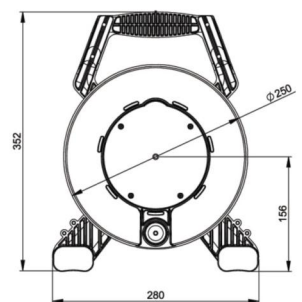
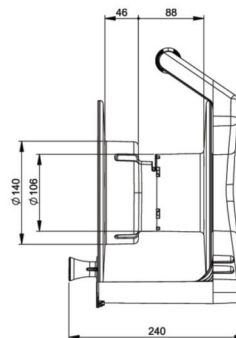


PCE data sheet

article#	9250005-p
article description	XREEL250 4xSSD20 25m3G1.5H05R GS1
description long	<p>Cable Reel XREEL250 Reel (black) with central, internal locking mechanism Protected connecting area Solid carrying rack (black) with ergonomic handle and 2 parking positions for the plug Central plate with 4 pcs safety sockets national version with shutter Rated operating voltage: 250V Rated current: 16A Protection rating: IP20 1 pcs thermal circuit breaker 1 pcs power supply light (green) 25m Black cable H05RR-F 3G1.5mm2 Taurus2 rubber plug 16A 2p+PE 250V IP54 (0511-sr) XREEL250 installed ready for use complies with RoHS directive 2011/65/EU low voltage directive NSpRI 2014/35/EU UV stability according ISO 4892-2 Standard: IEC / EN 61242</p>
GTIN (EAN)	9003399405945
country of origin	PL
customs number	85444290
net weight	4.400 kg
packaging quantity	1

ETIM 7.0	EC000191
Housing material	Plastic
Cable assembly	H05RR-F
Core cross section	1.5 mm ²
Number of cores	3
Number of socket outlets with protective contact (SCHUKO)	4
Type of mains connection	Protective contact (SCHUKO)
Cable length	25 m
With mounting frame	True
With thermal protection	True
With adjustment	True
Degree of protection (IP rating)	IP20
Colour	Black



www.manufacturer-safety.info