

Emergency Fixtures DP8033LCS-NM/DP8033LXS-NM surface and recessed /non maintained



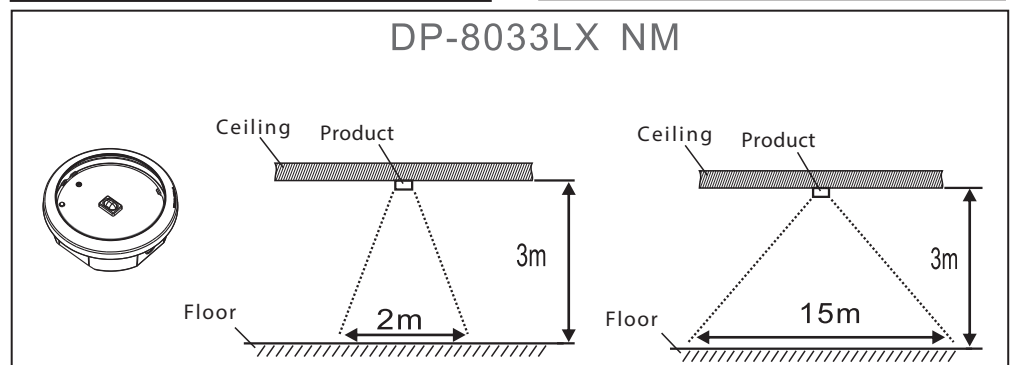
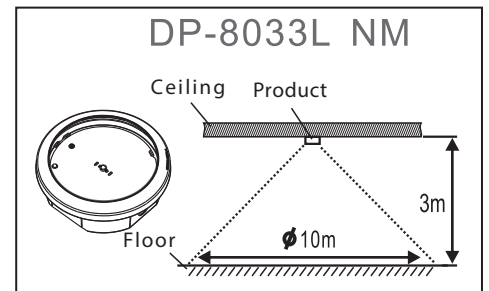
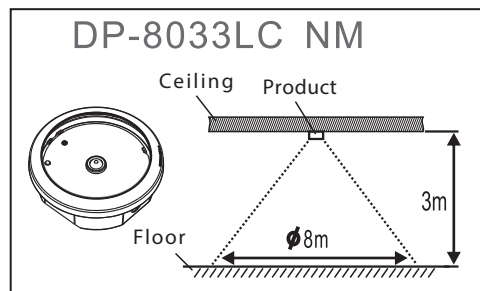
Construction

Housing: grey polycarbonate

Description

Battery info: 3.7V 2.6Ah lithium battery
 Charging time: 24 h, first charging time 36 h
 Duration: 3 h
 Testing: selftest

Code	Lamp	Protection level	Size mm (diameter)	Input voltage	Working temp.	Light source
EX-DP8033LCS-NM (Open area)	2,3W	IP65	173x73	220-240V 50/60 Hz	0-40°C	LED 175Lm
EX-DP8033LXS-NM (Corridor)	2,3W	IP65	173x73	220-240V 50/60 Hz	0-40°C	LED 175Lm



Importer: Alter Baltics OÜ